



## "Standard" Separate-vacuum Hopper Loader

SAL-810G&SMH-6L

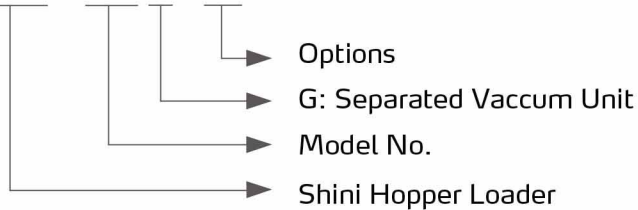


Refer carefully to this manual before operation.

# SAL-G Series

## ■ Coding Principle

SAL - xxx G - xx



SAL-810G & SVH-6L

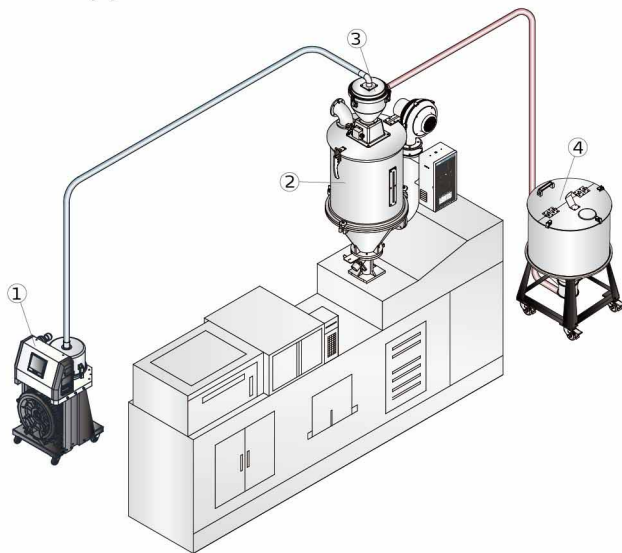
## ■ Features

- Motor overheat protector that can increase the service life.
- Shortage alarm informs the customer to troubleshoot.
- SAL-810G/820G/830G can control the proportional valve SPV-U and shut-off suction box independently.
- The filter barrel adopts PC (polycarbonate) that is easy to check the dust in the barrel for cleaning.
- The loader equips with RS485 interface for information exchange, which is controlled by central integrator.
- SAL-910G/920G has two-stage conveying function.

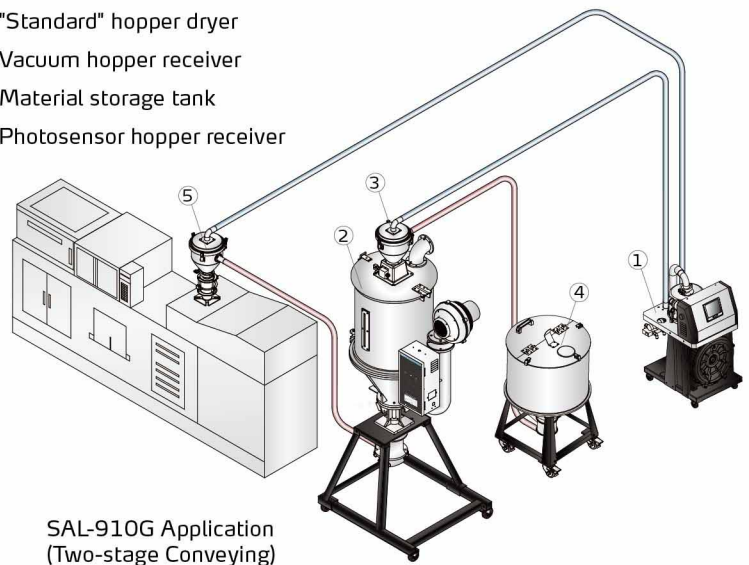


Control Panel

## ■ Application



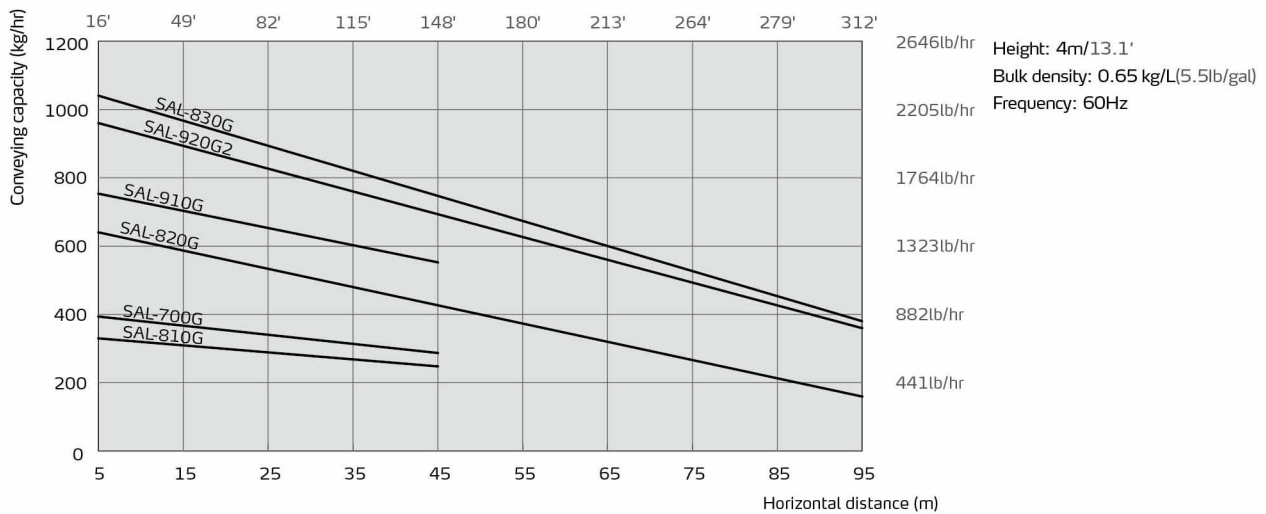
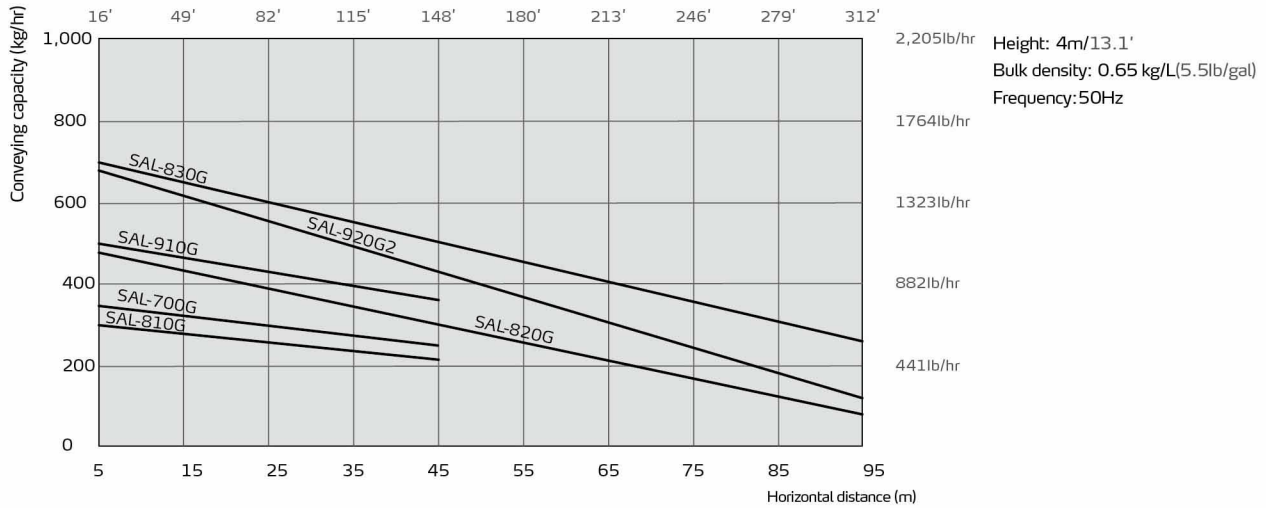
1. Main (Vacuum) unit
2. "Standard" hopper dryer
3. Vacuum hopper receiver
4. Material storage tank
5. Photosensor hopper receiver



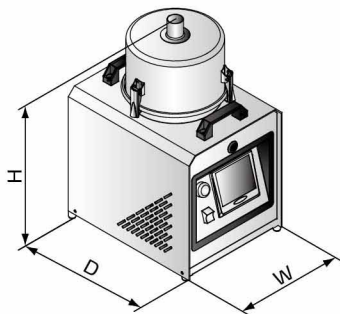
## ■ Options

- Optional internal polished hopper loader. Add "P" at the end of the model code.

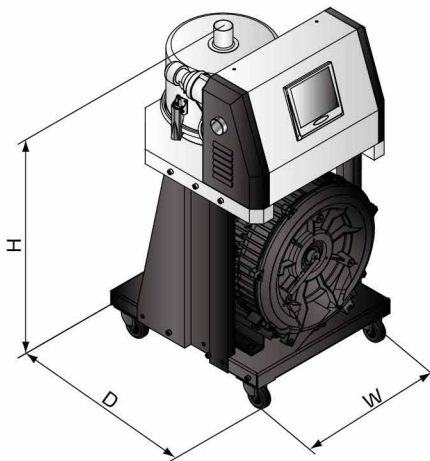
## Conveying Capacity



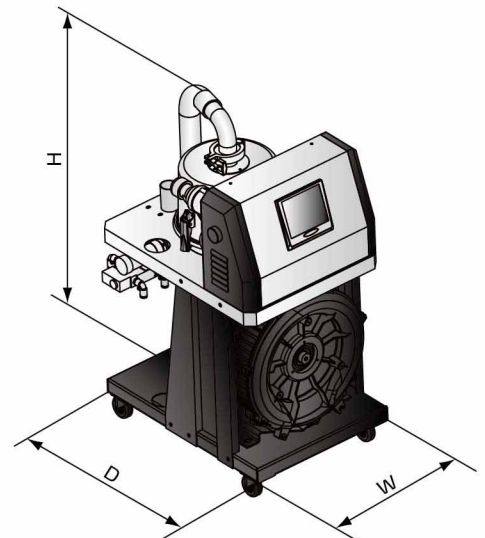
## Outline Drawings



SAL-700G (Main Unit)



SAL-810G/820G/830G (Main Unit)



SAL-910G/920G2 (Main Unit)

# SAL-G Series

## Specifications

Model	Motor Type	Motor Power (kW, 50/60Hz)	Main Unit				Hopper Receiver				RS485 interface	Conveying Pipe Dia (inch)	Vacuum Pipe Dia. (inch)	Conveying Capacity (50/60Hz)		
			Dimension H x W x D		Weight		Applied Model	Hopper Capacity		Weight				kg/hr	lb/hr	
			mm	inch	kg	lb		L	gal	kg						lb
SAL-700G	Carbon brush	1.2(1Φ)	595×300×410	23.2×11.8×16	18	40	SMH-6L	6	1.6	6	13	●	1.5	1.5	350/410	771/903
							SVH-6L			7	15					
SAL-810G	Inductive	0.75 (3Φ)	740×400×410	29.1×15.7×16.1	58	128	SMH-6L	6	1.6	6	13	●	1.5	1.5	300/340	661/749
							SVH-6L			7	15					
							SHR-6U			6	13					
SAL-820G	Inductive	1.5 (3Φ)	740×400×410	29.1×15.7×16.1	65	143	SMH-12L	12	3.2	7	15	●	1.5	1.5	480/640	1057/1410
							SVH-12L			11	24					
							SHR-12U			7	15					
SAL-830G	Inductive	1.85 (3Φ)	785×400×410	30.9×14.6×15.9	68	150	SMH-24L	24	6.4	9	20	●	2	2	700/1040	1543/2291
							SVH-24L			13	29					
							SHR-24U			9	20					
SAL-910G	Inductive	0.75 (3Φ)	500×395×800	19.7×15.6×31.5	44	97	SMH-6L	6	1.6	6	13	-	1.5	1.5	500/760	1102/1674
							SVH-6L			7	15					
							2×SMH-6L			11	24					
							2×SVH-6L			7	15					
SAL-920G	Inductive	1.5 (3Φ)	500×395×800	19.7×15.6×31.5	44	97	SMH-12L	12	3.2	7	15	-	1.5	1.5	680/960	1498/2115
							SVH-12L			11	24					
							2×SMH-12L			7	15					
							2×SVH-12L			11	24					

Notes: 1) "SVH" stands for photosensor hopper receiver; "SMH" stands for vacuum hopper receiver.

"SHR-U" stands for Euro-hopper receiver.

2) Test condition of conveying capacity: Plastic material of bulk density 0.65kg/L(5.5lb/gal), dia. 3~5mm/0.12~0.2 inch, vertical conveying height: 4m/13.1Feet, horizontal conveying distance: 5m/16.4Feet.

3) "●" stands for standard, "○" stands for options, "-" stands for none.

4) Power supply: 3Φ, 230/400/460/575V, 50/60Hz for all models except SAL-700G (1Φ, 115/230V, 50/60Hz).

## Shini Group

Addr: No. 23, Minhe St., Shulin Dist.,  
New Taipei, Taiwan

Tel: +886 2 2680 9119

Fax: +886 2 2680 9229

Email: [shini@shini.com](mailto:shini@shini.com)

### Factories:

- Taiwan
- Dongguan
- Pinghu
- Ningbo
- Chongqing
- Pune