

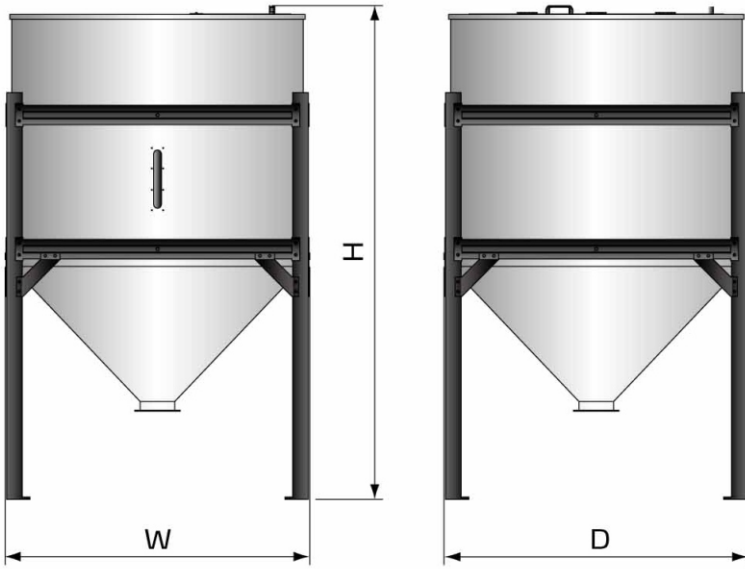


Silo

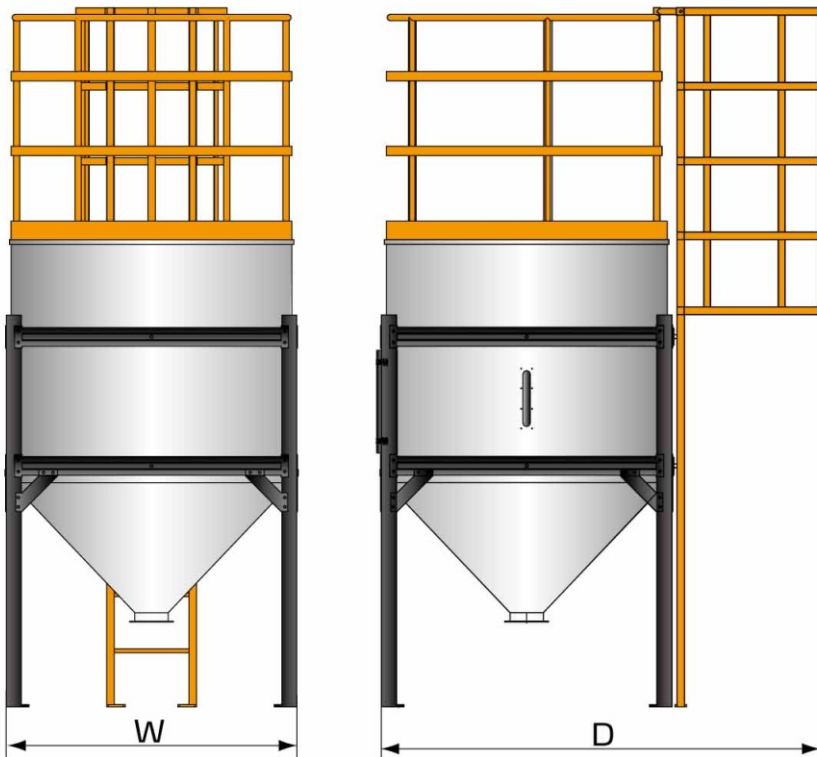
Simple Solution

Silo Series

Outline Drawing



Option With Maintenance Ladder





Specifications

Silo										
Model	Assembly (support frame+barrel)			Material		Barrel	With Option Maintenance Ladder	Components (support frame+barrel+ Maintenance Ladder)		
	W(mm)	D(mm)	H(mm)	Barrel	Support frame	Capacity (L)		W(mm)	D(mm)	H(mm)
1T	1570	1570	2130	SUS201	SPH	2000		1570	2450	3330
1.5T	1570	1570	2500	SUS201	SPH	2750		1570	2450	3700
2T	1570	1570	2950	SUS201	SPH	3500		1570	2450	4150
3T	1570	1570	3820	SUS201	SPH	5000		1570	2450	5020
4T	1995	1995	3420	SUS201	SPH	6500		1995	2830	4620
5T	1995	1995	3960	SUS201	SPH	8000		1995	2830	5160
6T	1995	1995	4510	SUS201	SPH	9500		1995	2830	5710

We reserve the right to change specifications without prior notice.

Shini Group

Addr: No. 23, Minhe St., Shulin Dist.,
New Taipei, Taiwan

Tel: +886 2 2680 9119

Fax: +886 2 2680 9229

Email: shini@shini.com

Factories:

- Taiwan
- Dongguan
- Pinghu
- Ningbo
- Chongqing
- Pune

2018-12-15-04 Copyrights Reserved.

www.shini.com