



Storage Mixer

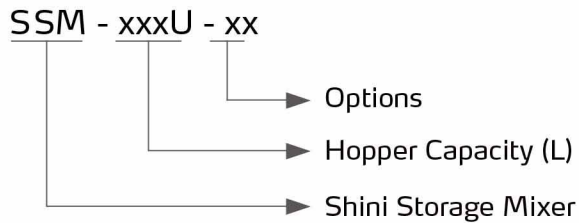
SSM-160U



Refer carefully to the manual before operation.

SSM-U Series

■ Coding Principle



■ Features

- Vertically mounted blending screw and cylinder ensure even mixing of materials.
- Removable top assembly (lid, motor, and control box) for easy cleaning.
- Auto-stop timer function.
- Equipped with main power switch and safety interlock to ensure operator's safety.
- SSM-U has height adjustable floor stand and braking castors as standard accessories for easy movement.

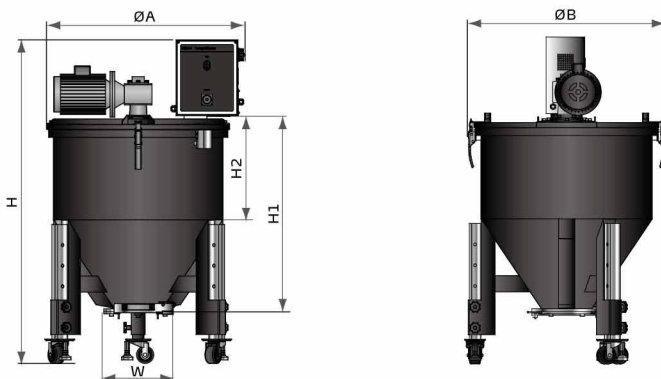
■ Options

- Pneumatic discharge plate is an optional accessory for mounting at discharge outlet, and add "SP" at the end of the model code.

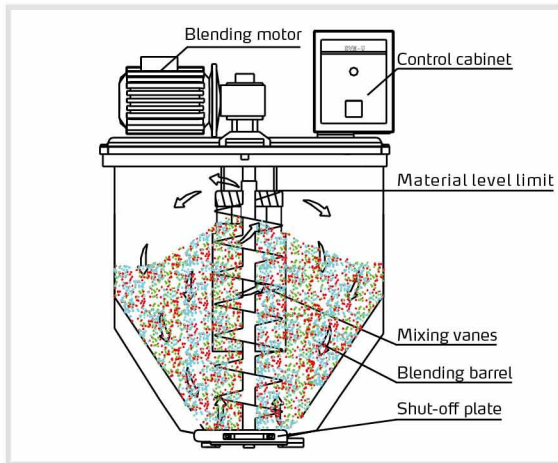
■ Application

SSM-U is mainly used for mixing plastics such as raw materials, masterbatch and recycled materials. SSM-U can not be used dealing with plastic powder and all kinds of foods, chemicals, and inflammable, explosive and volatile materials. Bulk density should be taken into account when the dimension of material is uneven or in other forms. Collocated with suction pipe for convenient material transport .

■ Outline Drawings



Working Principle



Specifications

Model		SSM-80U	SSM-160U	SSM-300U	
Motor Power (kW)		0.55	0.55	1.1	
Max. Throughput	kg/hr	200	400	800	
	lb/hr	441	882	1763	
Blending Barrel*	L	80	160	300	
	gal	21	42	79	
Dimensions	H	mm	1158	1410	1615
		inch	45.6	55.5	63.6
	H1	mm	694	867	982
		inch	27.3	34.1	38.7
	H2	mm	352	454	505
		inch	13.9	17.9	19.9
	W	mm	256	302	302
		inch	10	11.9	11.9
	ΦA	mm	766	873	1009
		inch	30.2	34.4	39.7
	ΦB	mm	711	867	1050
		inch	28	34.1	41.3
Weight	kg	83	126	187	
	lb	183	278	412	

Notes: 1) "*" stands for the optimal mixing time at full load is about 15min.

2) Max. noise level is 70dB (A).

3) Max. mixing capacity is tested based on continuous processing material of 0.65kg/L(5.5lb/gal) in bulk density and 2~3mm/0.08~0.12inch in size.

4) Power 3Φ, 230 / 400 / 460 / 575VAC, 50 / 60Hz.

We reserve the right to change specifications without prior notice.

Shini Group

Addr: No. 23, Minhe St., Shulin Dist.,
New Taipei, Taiwan

Tel: +886 2 2680 9119

Fax: +886 2 2680 9229

Email: shini@shini.com

Factories:

- Taiwan
- Dongguan
- Pinghu
- Ningbo
- Chongqing
- Pune