



## Metal Detecting Separator

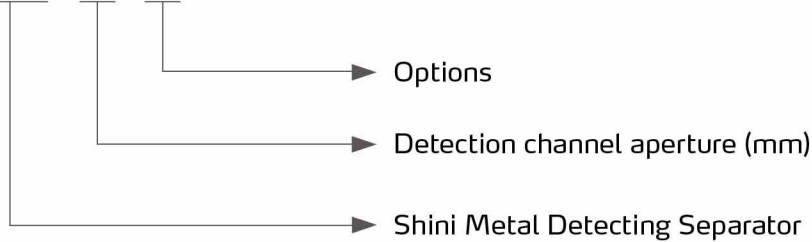
SMS



Refer carefully to this manual before operation.

## ■ Coding Principle

SMS - xx - xx



## ■ Features

- Fast separating all the metals from the material.
- The minimum detectable diameter of the metals can be as small as 0.5mm.
- Compact design, easy to install and simple to operate.
- Standard equipped with a 12L/3.2gal hopper.
- German metal detector.



Metal Detector

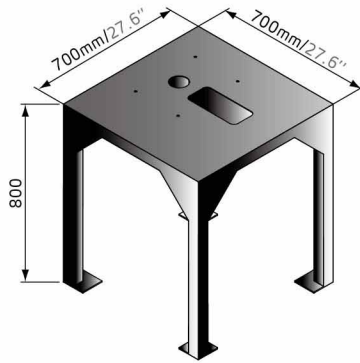
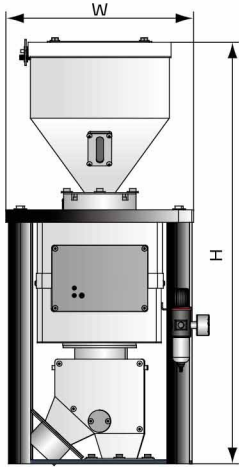
## ■ Options

- For models optional with the floor stand, and add "F" at the end of the model code.

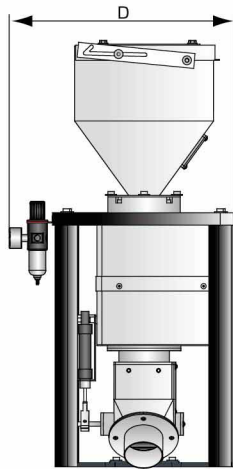
## ■ Application

SMS series metal detecting separators are highly sensitive and accurate in detecting and separating metal grains, such as steel, iron, copper, aluminum, lead, tin, etc. It can be installed directly on injection molding machine or (extruders) hoppers to protect the screw of machine from the damage caused by hard metals. When it installed on the injection molding machine or on hopper of the extruder, material level sensor should be mounted on the hopper to prevent material blockage which affects machine testing.

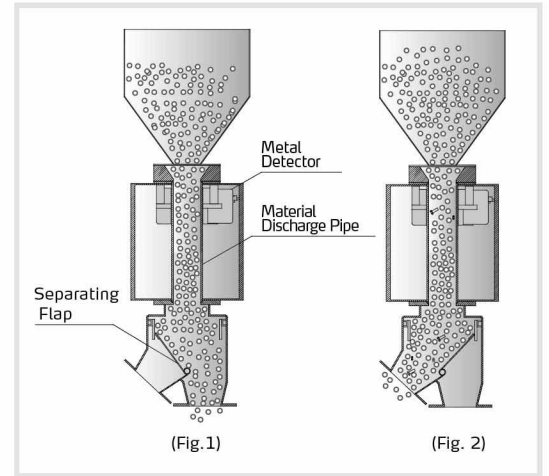
## Outline Drawings



Floor Stand Dimensions



## Working Principle



## Specifications

Model		SMS-35	SMS-50	SMS-70
Maximum Throughput	L/hr	600	1,500	3,000
	gal/hr	159	396	793
Minimum Detectable Diameter	mm	0.5	0.6	1.0
	inch	0.02	0.02	0.04
Material outlet pipe diameter	mm	35	50	70
	inch	1.38	1.97	2.76
Dimensions H × W × D	mm	860 × 405 × 368	860 × 405 × 368	860 × 405 × 368
	inch	33.9 × 15.9 × 14.5	33.9 × 15.9 × 14.5	33.9 × 15.9 × 14.5
Weight	kg	50	50	50
	lb	110	110	110
Hopper Capacity	L	15	15	15

- Notes: 1) Testing result of maximum throughput is based on particles of 0.8kg/L (6.7lb/gal) in bulk density and 2~3mm/0.12~0.2" in size.  
 2) The minimum metal diameter is detected based on carbon steel testing standard.  
 3) Power supply: 1Φ, 115/230VAC, 50/60Hz.

We reserve the right to change specifications without prior notice.

## Shini Group

Addr: No. 23, Minhe St., Shulin Dist.,  
New Taipei, Taiwan

Tel: +886 2 2680 9119

Fax: +886 2 2680 9229

Email: [shini@shini.com](mailto:shini@shini.com)

### Factories:

- Taiwan
- Dongguan
- Pinghu
- Ningbo
- Chongqing
- Pune