



Proportional Valve

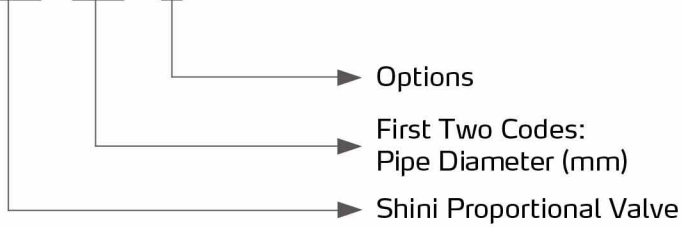
SPV-38U-C



Refer carefully to the manual before operation.

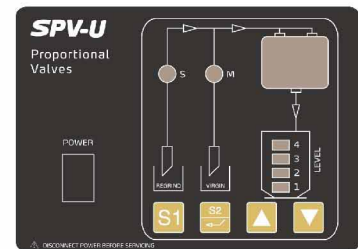
■ Coding Principle

SPV - xxU - X



■ Features

- easy installation and operation.
- Unique design of valve body makes material conveying more smooth.
- The performance of solenoid valve is so stable that the air cylinder acts accurately to ensure a proportional mixing of new and regrind materials.
- Equipped with 1~4 levels working function selection, making material mixing more evenly.

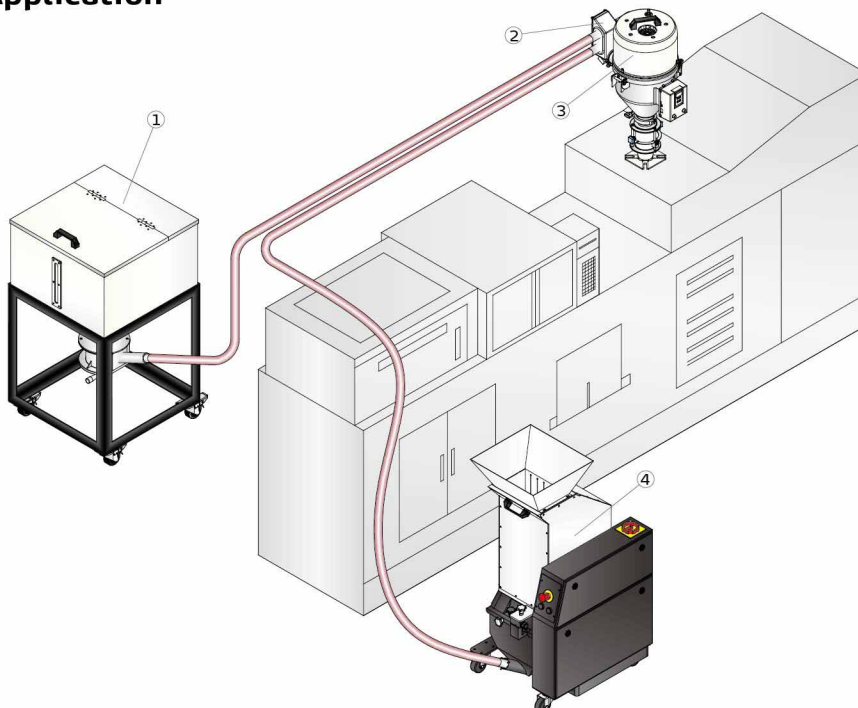


Control Panel

■ Options

- Control cabinet can be an option, add "C" at the end of the model code.

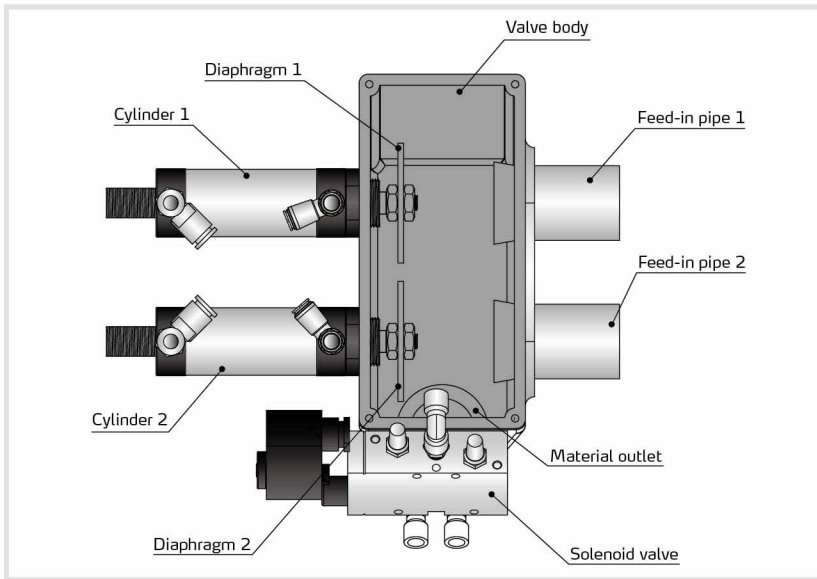
■ Application



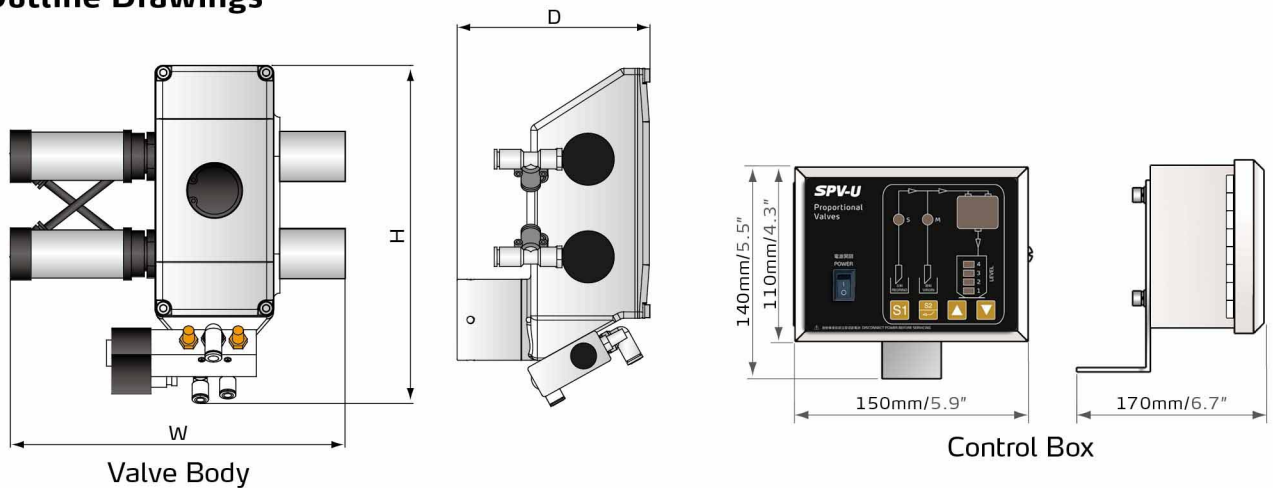
1. Material storage tank
2. Proportional valve
3. "Standard" self-contained hopper loaders
4. Low-speed granulator

SPV-U Series

Working Principle



Outline Drawings



Specifications

Model	Compressed Air Pressure	Maximum Material Flow	Pipe Size (inch)	Dimensions H x W x D		Weight	
				mm	inch	kg	lb
SPV-38U-(C)	3kgf/cm ²	350kg/hr	1.5	270×260×150	10.6×10.2×5.9	3.5	7.7
SPV-50U-(C)	3kgf/cm ²	550kg/hr	2	270×260×150	10.6×10.2×5.9	3.8	8.4

Notes:1) Above maximum Maximum Material Flow is based on pellet material of 0.65kg/L(5.5lb/gal) in bulk density and 3-5mm/0.12~0.2inch in diameter.

2) Power supply: 1Φ, 115 / 230VAC, 50 / 60Hz.

We reserve the right to change specifications without prior notice.

Shini Group

Addr: No. 23, Minhe St., Shulin Dist.,
New Taipei, Taiwan

Tel: +886 2 2680 9119

Fax: +886 2 2680 9229

Email: shini@shini.com

Factories:

- Taiwan
- Dongguan
- Pinghu
- Ningbo
- Chongqing
- Pune