



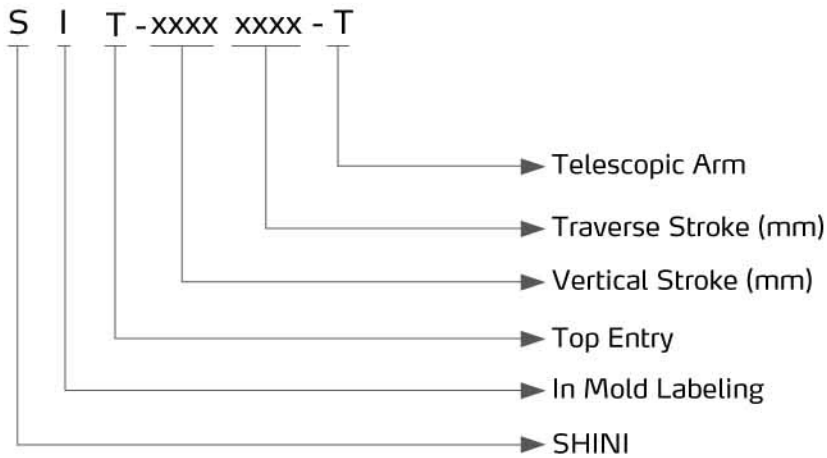
## Top Entry In Mold Labeling Robots System

SIT-1100-1800T



Refer carefully to this manual before operation.

## ■ Coding Principle



## ■ Features

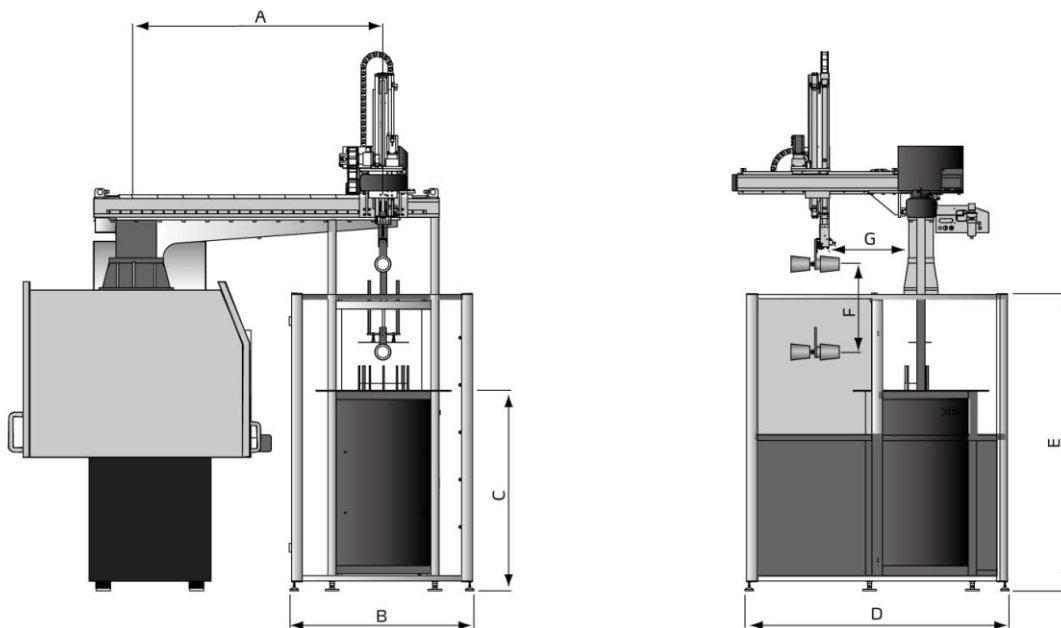
- Strong and stable frame design.
- Servo motors control the transmission parts precisely and rapidly.
- Servo motors driven stacking units.
- Electrostatic charge included in gripper.
- Conveyor and safety guarding included.

## ■ Application

Suitable for injection molding machine under 450T clamp force. The system designed for single face mold with 1 or 2 cavity. Place labels and take out products automatically and rapidly, cycle time is 7 to 9 seconds, improve the production efficiency and the product quality.

# SIT Series

## Outline Drawings



## Specifications

Model		SIT-900-1600T	SIT-1100-1800T	SIT-1300-2000T
IMM (ton)		50-200	200-300	300-450
Main Axis	Traverse Stroke (mm)	1600	1800	2000
	Crosswise Stroke (mm)	680	700	800
	Vertical Stroke (mm)	900	1100	1300
	Max Load (with tool) (kg)	6	8	10
Stacking (option)	Vertical Stroke (mm)	700	700	700
	Gripper Angle (deg)	90	90	90
IML	Vertical Stroke (mm)	500	500	500
	Width of Belt (mm)	400	400	400
	Length of Conveyor (mm)	1500	1500	1500
Conveyor	Height Adjustable (mm)	700-1000	700-1000	700-1000
	Min Cycle Time (sec)	7	8.5	9
Dimensions (mm)	A	1600	1800	2000
	B	1360	1360	1360
	C	1480	1480	1480
	D	1890	1950	2050
	E	2200	2200	2200
	F	900	1100	1300
	G	890	950	1050

Notes: 1) "EM12" stands for EUROMAP12 communication interface.  
 "EM67" stands for EUROMAP67 communication interface.  
 "N" stands for non-operation side, operation side without "N"  
 2) Power supply requirement: 3 $\Phi$ , 380~440V, 50/60Hz

## Shini Group

Addr: No. 23, Minhe St., Shulin Dist.,  
New Taipei, Taiwan

Tel: +886 2 2680 9119

Fax: +886 2 2680 9229

Email: [shini@shini.com](mailto:shini@shini.com)

### Factories:

- Taiwan
- Dongguan
- Pinghu
- Ningbo
- Mumbai

2014-10-15-04 Copyrights Reserved.

[www.shini.com](http://www.shini.com)