



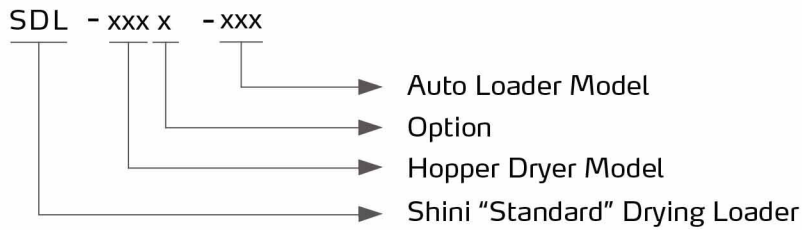
"Standard" Drying Loader

SDL-100-700G



Refer carefully to the manual before operation.

■ Coding Principle

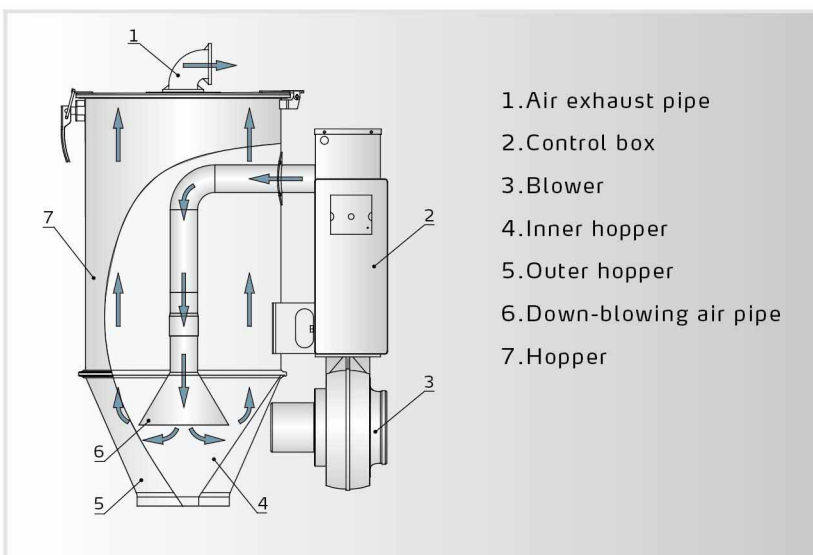


SDL-200 -810G

■ Features

- Integrate material drying and conveying function into portable unit .
- All material contact surfaces are made of stainless steel to eliminate material contamination.
- Single tube suction box is standard accessory.
- SDL-150 and even smaller models below are equipped with standard base.
- SDL-200 and even bigger models above it are equipped with magnetic base.
- Overheat tripping can automatically cut off power when drying temperature exceeds set deviation value.
- Adopts heat-insulated blower for better blower lifespan.
- All models adopt microcomputer control and RS485 communication port (SAL-900G is not included) .

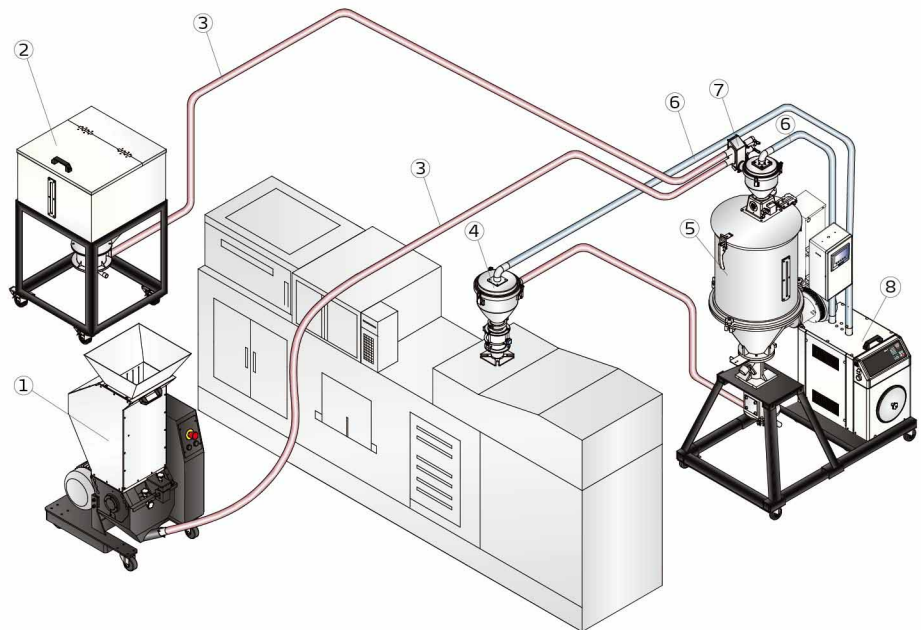
■ Working Principle



Application

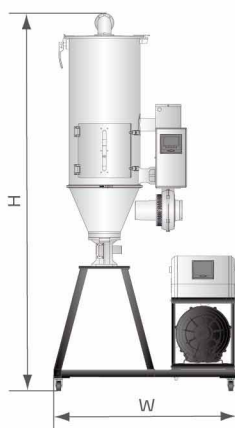
SDL "standard" drying loader integrates drying and conveying function into portable unit. The drying section mainly is the SEHD hopper dryer, and the conveying section mainly is the "Standard" Separate-vacuum Hopper Loader, which are assembled with other necessary accessories. The loader also can be selected to convey the plastics as to realize auto feeding with less labor work. SAL-900G series of loaders have two-stage conveying function.

1. Low-speed granulator
2. Material storage tank
3. Material pipe
4. Photosensor hopper receiver SVH
5. Hopper dryer
6. Vacuum pipe
7. Proportional valve
8. Main vacuum unit



Floor Stand Mounting (SEHD-400 and above models)

Outline Drawings



To work with



SVH



SMH



Options

- For models with hopper polished inside, add "P" at the end of the mode code.
- The high temp. model can reach the max. temp. of 180°C, and add "H" at the end of the model code. (Suitable for SEHD-25-200)

Specifications

Model	dryer model	loader model	Receiver hopper model	conveying capacity (kg/hr)	Receiver Capacity(L)	Dimension H × W × D	Weight (kg)
SDL-25-700G	SEHD-25	SAL-700G	1 × SVH-6L	300	6	1769×1079×708	95
SDL-25-810G	SEHD-25	SAL-810G					
SDL-25-900G	SEHD-25	SAL-900G	1 × SVH-6L 1 × SMH-6L	450	2 × 6		
SDL-50-700G	SEHD-50	SAL-700G	1 × SVH-6L	300	6	1956×1079×708	110
SDL-50-810G	SEHD-50	SAL-810G					
SDL-50-900G	SEHD-50	SAL-900G	1 × SVH-6L 1 × SMH-6L	450	2 × 6		
SDL-75-700G	SEHD-75	SAL-700G	1 × SVH-6L	300	6	2255×1079×708	115
SDL-75-810G	SEHD-75	SAL-810G					
SDL-75-900G	SEHD-75	SAL-900G	1 × SVH-6L 1 × SMH-6L	450	2 × 6		
SDL-100-700G	SEHD-100	SAL-700G	1 × SVH-6L	300	6	2201×1079×708	115
SDL-100-810G	SEHD-100	SAL-810G					
SDL-100-900G	SEHD-100	SAL-900G	1 × SVH-6L 1 × SMH-6L	450	2 × 6		
SDL-150-700G	SEHD-150	SAL-700G	1 × SVH-6L	300	6	2541×1079×708	160
SDL-150-810G	SEHD-150	SAL-810G					
SDL-150-900G	SEHD-150	SAL-900G	1 × SVH-6L 1 × SMH-6L	450	2 × 6		
SDL-200-810G	SEHD-200	SAL-810G	1 × SVH-6L	300	6	2385×1140×840	210
SDL-200-900G	SEHD-200	SAL-900G	1 × SVH-6L 1 × SMH-6L	450	2 × 6		
SDL-300-810G	SEHD-300	SAL-810G	1 × SVH-6L	300	6	2690×1140×840	220
SDL-300-900G	SEHD-300	SAL-900G	1 × SVH-6L 1 × SMH-6L	450	2 × 6		
SDL-400-820G	SEHD-400	SAL-820G	1 × SVH-12L	400	12	2800×1240×1020	285
SDL-400-900G2	SEHD-400	SAL-900G2	1 × SVH-12L 1 × SMH-12L	700	2 × 12		

We reserve the right to change specifications without prior notice.

Shini Group

Addr: No. 23, Minhe St., Shulin Dist.,
New Taipei, Taiwan

Tel: +886 2 2680 9119

Fax: +886 2 2680 9229

Email: shini@shini.com

Factories:

- Taiwan
- Dongguan
- Pinghu
- Ningbo
- Chongqing
- Pune