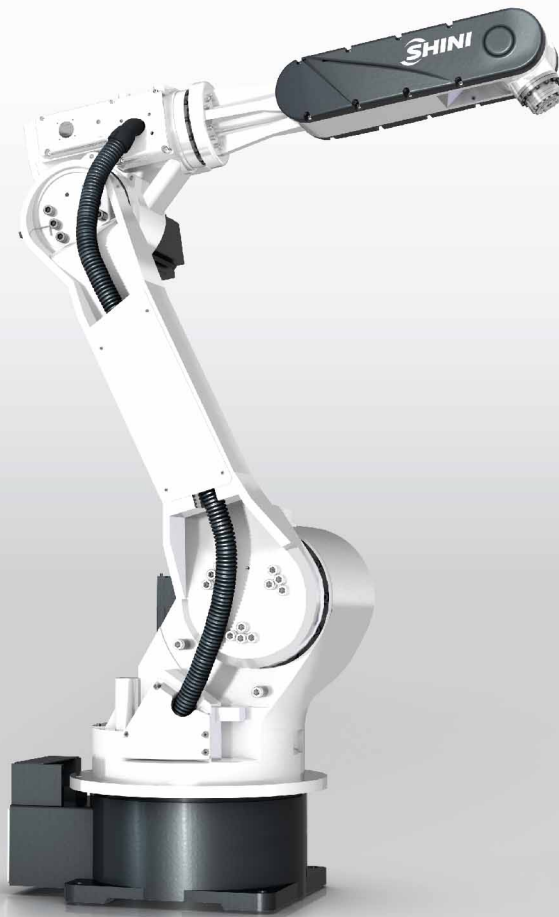




## SR Multiple Joints Robot



Refer carefully to this manual before operation.

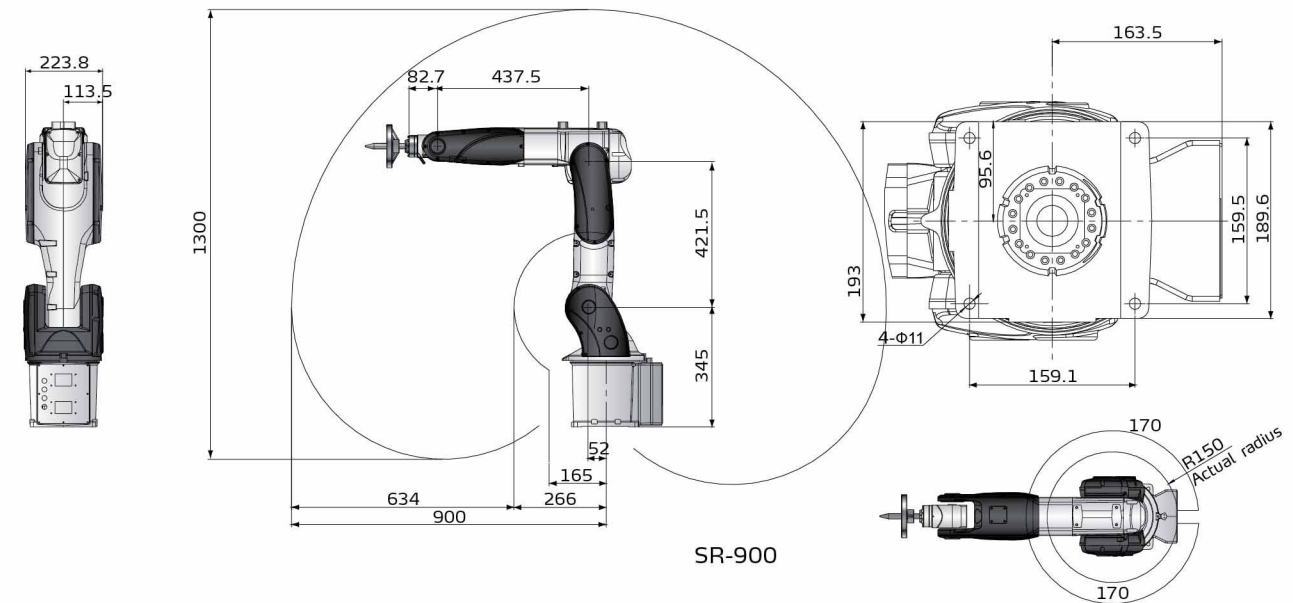
## ■ Features

- Edit by dragging function, collision preventing mode, easily manipulating, highly safety (small robot)
- Small, integrated controller and driver, highly system integrated
- Imported servo motor, gear box, stable, accurate
- Using in the application like welding, taking, palletizing, and processing

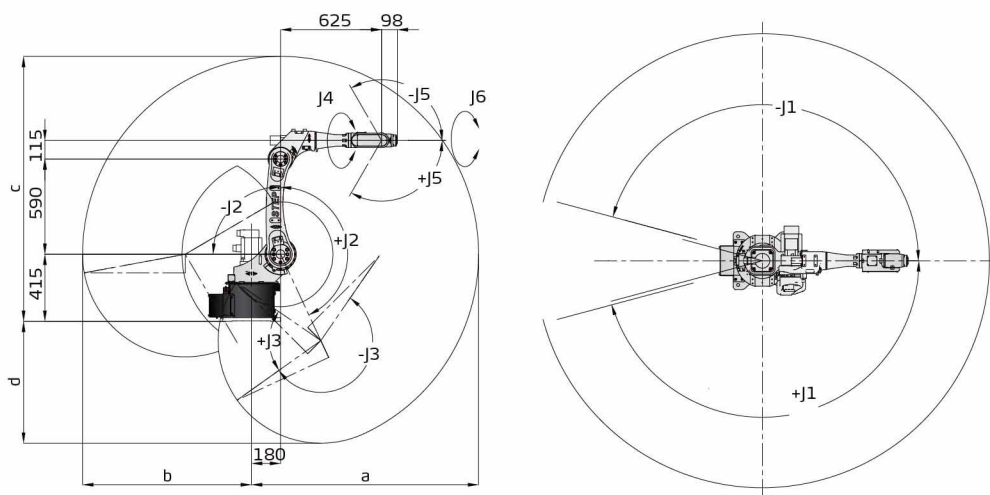
## ■ Application

Flexible, multiple degree of freedom movement provides optimized moving path. This robot is widely used in palletizing, handling, processing, injection molding and other occasions. The advantages are more obvious in vertical injection molding applications. While waiting for taking out molded products, it can be programmed for post-processing such as cutting sprue, deburring, product assembly and handling.

## ■ Outline Drawings

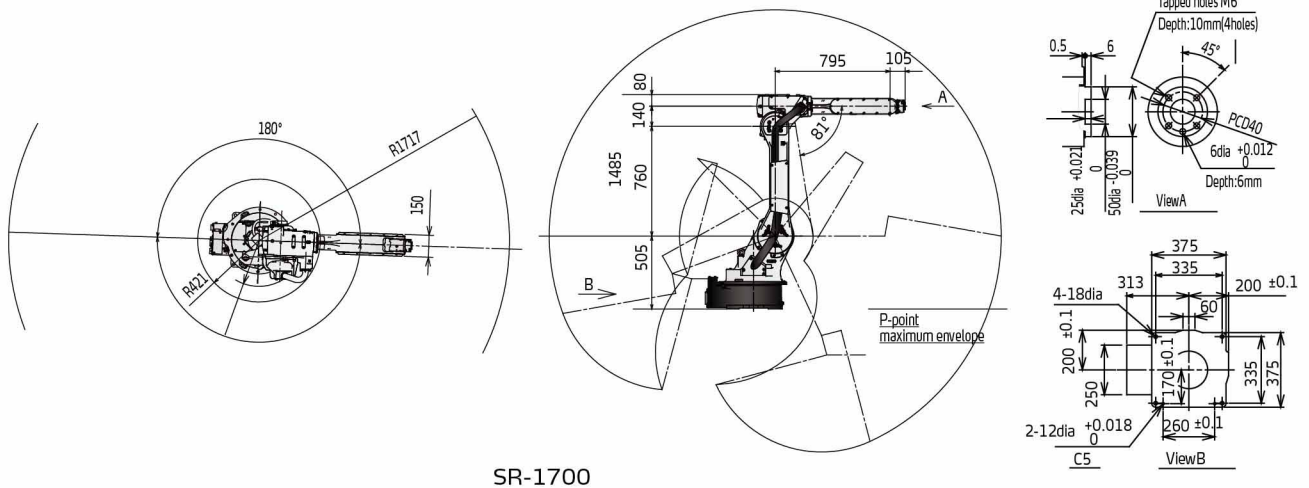


SR-900



SR-1400

# SR Series



SR-1700

## Specifications

Model	SR-900	SR-1400	SR-1700
Max. working area	900mm	1405mm	1717mm
Load(kg)	5	6	20
Accuracy	±0.05mm	±0.05mm	±0.05mm
number of axis	6	6	6
installation position	ground installation	ground installation, hanging installation, upside down installation	ground installation
weight (not include controlling box) (kg)	32	143	268
Temperature	0~40°C	0°C至40°C	0°C至40°C
The moving area	J1(rotate 1)	±170°	±180°
	J2(fwd/back)	+45~-190°	±155°/-110°
	J3(up/down)	+156~-120°	+75°/-200°
	J4(turn 2)	±185°	±170°
	J5(bend)	±120°	±120°
	J6 (turn 1)	±350°	±360°
Joint speed	J1(rotate 1)	180°/S	197°/S
	J2(fwd/back)	150°/S	175°/S
	J3(up/down)	180°/S	187°/S
	J4(turn 2)	360°/S	400°/S
	J5(bend)	270°/S	400°/S
	J6 (turn 1)	360°/S	600°/S

We reserve the right to change specifications without prior notice.